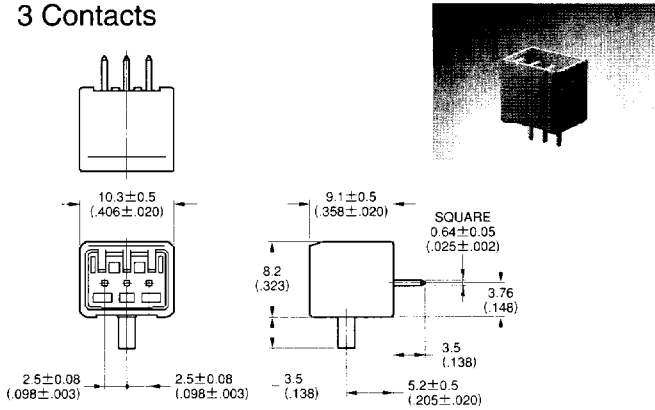


■PIN HEADER (STRAIGHT/RIGHT ANGLE)

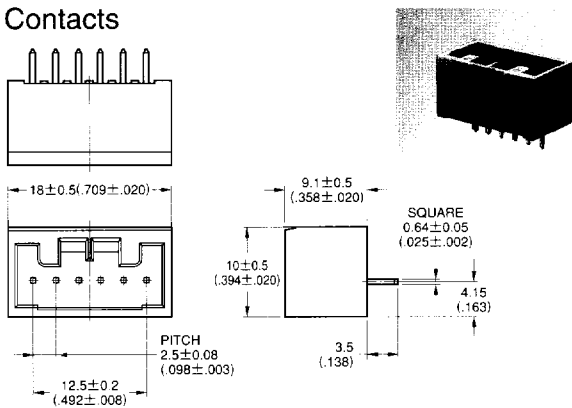
Dimensions are shown in millimeters (inches).
Dimensions subject to change.

STRAIGHT TYPE

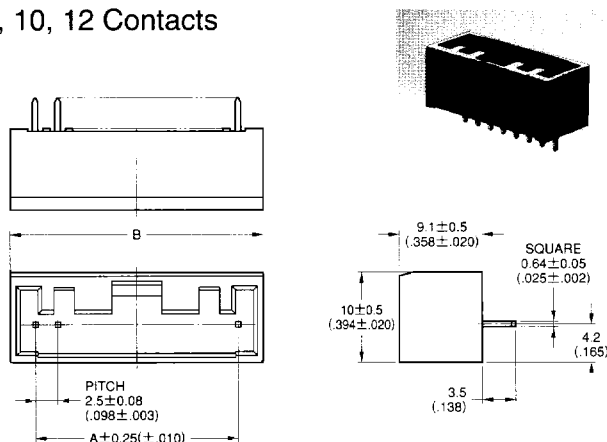
3 Contacts



6 Contacts

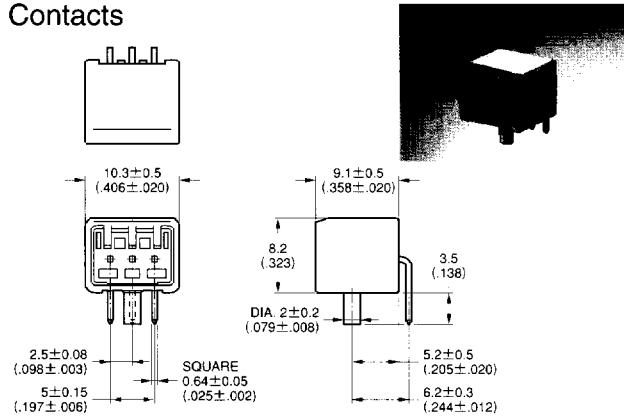


8, 10, 12 Contacts

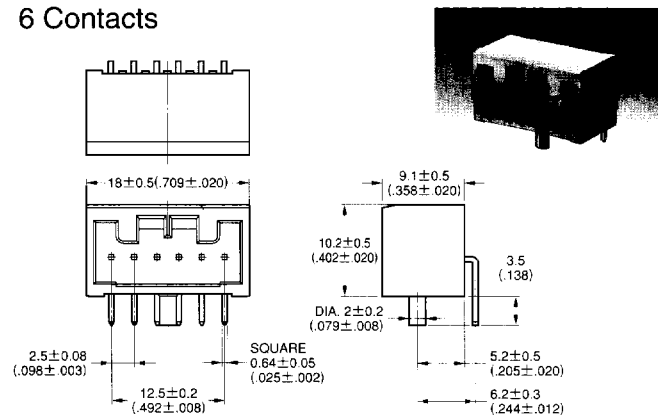


RIGHT ANGLE TYPE

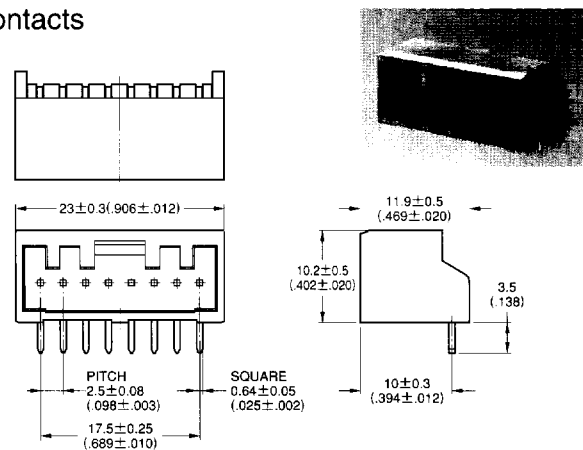
3 Contacts



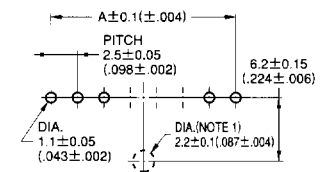
6 Contacts



8 Contacts



P. C. B. HOLE PATTERN (REF.)



Note 1: For right-angle type with 3 or 6 contacts, drill a hole at the center to fix leg.

No. of Cont.	Part Number		A	B ±0.3 (±.012)
	Straight	Right Angle		
3	IL-GM-3P-S3T2	IL-GM-3P-S3L2	—	—
6	IL-GM-6P-S3T2	IL-GM-6P-S3L2-2	—	—
8	IL-GM-8P-S3T2	IL-GM-8P-S3L2	17.5 (.689)	23 (.906)
10	IL-GM-10P-S3T2	—	22.5 (.886)	28 (1.102)
12	IL-GM-12P-S3T2	—	27.5 (1.083)	33 (1.299)